

TRAY WASHER TW 101

2 stage washer for light soiling

Since the early 1980s, our first tray washing machine the TW 001 has proved to be reliable and virtually maintenance free. The constant increase in hygiene demands make a new design essential, we therefore have a policy of continual development.

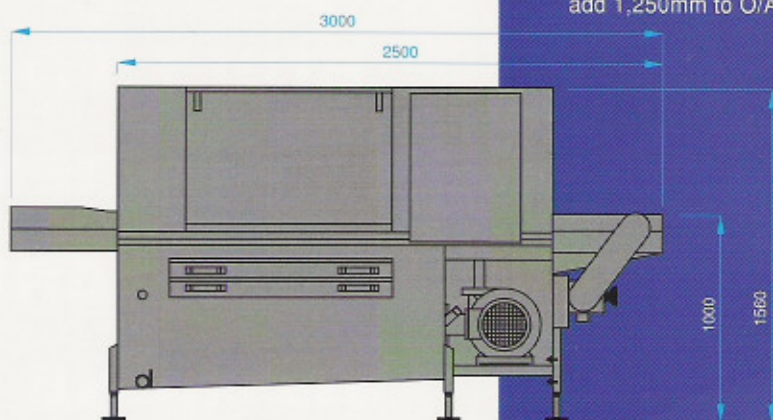
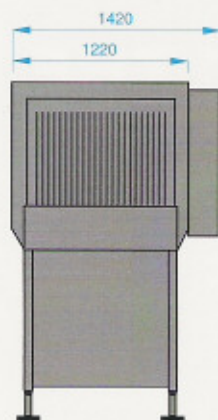
The TW 101 washing machine incorporates the original principles of the successful TW 001, extending the concept to a modular machine which can be increased in capability by adding additional washing sections at a future date.

Manufactured from stainless steel the washer consists of a main wash section using continuously recycled water, followed by a cold water rinse section with rinse water either running to waste or used to 'top up' the main tank. The high pressure wash section includes 'easy clean' flood nozzles and a twin filter screen system to remove debris prior to recycling water into the main tank.

A wide variety of heating options are available for the main wash. Advice can also be given on the correct use of chemicals to enhance the washing process. The machine is easy to maintain and requires minimal servicing with easy access to all parts and easy removal of the twin filter screens for cleaning.



The TW 101 is completely tested in house with customer trays prior to despatch and arrives on site as a single unit requiring only services to be connected to start up.



SPECIFICATION TRAY WASHER (TW 101)

DIMENSIONS

Overall length:	3,000
Height:	1,560
Width:	1,220
Infeed/Outfeed height:	1,000
Weight (empty):	550kgs

CAPACITY

1 off wash tank	560 litres approx (125 gallons)
-----------------	------------------------------------

HEATING (OPTIONAL)

Main tank thermostatically controlled

- A. 12 or 24Kw electric immersion heater
- B. Direct live steam injection (150 kilos live process steam per hour)
- C. 100,000 BTU natural or LPG gas burner with tube
- D. Heat exchanger (hot water supply by customer)

ELECTRICS

380 or 415 volt, 3 phase, 50Hz + neutral

PUMP

1 off - 7.5Kw 1 1/2" close coupled motor pump
360 ltr/min. at 5 bar pressure

DRIVE MOTOR

Helical geared, variable speed, 0.37Kw.

MAXIMUM TRAY SIZE

Width:	1,000
Height:	350

THROUGHPUT

Maximum 400 trays per hour - single lane operation, twin lane operation is possible

OPTIONAL EXTRAS

- A. Metering pump for sanitising solution
- B. Overhead feed arrangement for one man operation
- C. Cold air knife to remove excess water, add 1,250mm to O/A length of machine